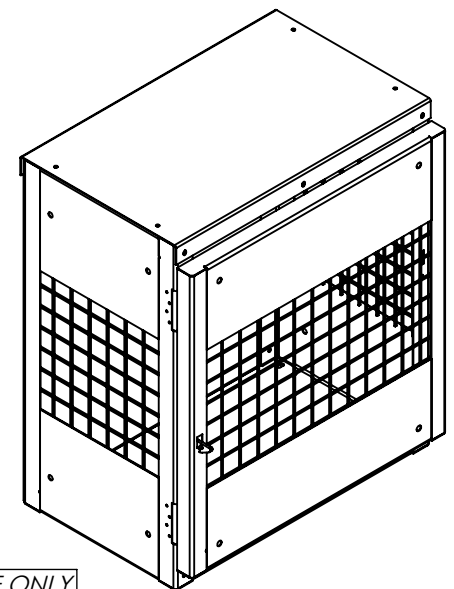
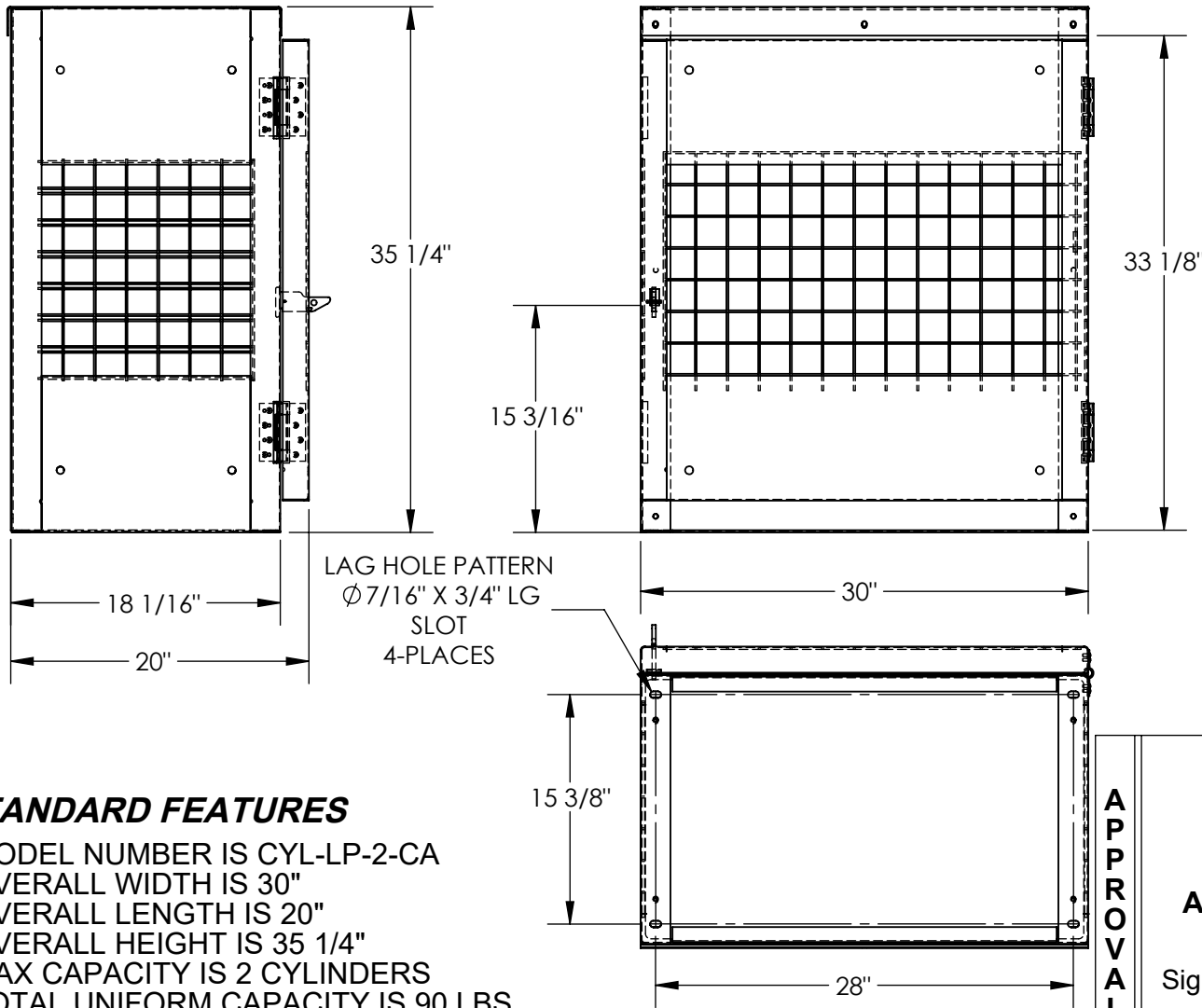


VERTICAL CYLINDER STORAGE CABINET - CYL-LP-2-CA

APPROX WEIGHT: 95.7677 lbs.
 DOES NOT INCLUDE WEIGHT OF POWER OR PACKAGING!!!

*** ANY ADDITIONS, DELETIONS, OR OMISSIONS MUST BE CORRECTED ON THIS DRAWING AS THIS DRAWING WILL BE CONSIDERED ALL INCLUSIVE ***

ALL GRAPHICS PROVIDED ARE FOR REFERENCE ONLY. IF CERTAIN DIMENSIONS ARE CRITICAL PLEASE VERIFY THOSE DIMENSIONS WITH YOUR SALESPERSON



FOR INTERNAL USE ONLY PROJECT SIGN OFF	
SALES	
ENG.	
FAB.	
POWER	

DIMENSION TOLERANCE ± 1/4"

STANDARD FEATURES

- MODEL NUMBER IS CYL-LP-2-CA
- OVERALL WIDTH IS 30"
- OVERALL LENGTH IS 20"
- OVERALL HEIGHT IS 35 1/4"
- MAX CAPACITY IS 2 CYLINDERS
- TOTAL UNIFORM CAPACITY IS 90 LBS.
- DOOR IS RIVETED ON TO UNIT
- TOUGH BAKED IN POWDER COATED YELLOW FINISH
- INCLUDES RED LETTER SIGNAGE "NO SMOKING" IN ENGLISH AND FRENCH (NOT SHOWN)
- INCLUDES LAG HOLES (LAG HARDWARE NOT INCLUDED)

SPECIAL FEATURES

NONE

APPROVAL

I, THE UNDERSIGNED, AGREE THAT THE PRODUCT AS REPRESENTED SATISFIES DESIGN AND DIMENSION REQUIREMENTS. I ALSO ACKNOWLEDGE MY DUTY TO CONFIRM PRODUCT AND INSTALLATION COMPLIANCE WITH ALL APPLICABLE FEDERAL, STATE AND LOCAL REGULATIONS AND STANDARDS.

ANY MODIFIED UNITS ARE NON-RETURNABLE

[] As drawn [] As marked

Signed: _____ Date: _____

Printed Name: _____

LEAD TIME WILL START UPON RECEIPT OF SIGNED APPROVAL DRAWING

DISTRIBUTOR'S NAME:		P.O.#
VESTIL MANUFACTURING		X
DRAWN BY: CA		DATE: 03/24/2015
REFERENCE: X		SCALE: 1:12
QUOTED LEAD TIME: X	QUOTE #	FILE NAME:
X	X	31-007-202